

## LED DSF-Floodlight

For solid state, DSF-System  
(Dynamic Sportfield Lighting)



### Introduction

The LED - DSF floodlight is a 1:1 replacement for existing Metal-Halide or High Pressure Sodium fixtures. With the optional lighting control management system, it is possible to switch and dim the fixtures. The floodlight is primarily for use on sport fields with adjustable illumination level, industrial and parking areas. Through its long lifetime, efficiency and reliability, short payback times are possible. Works only in conjunction with its system relevant control interfaces (see accessories).

### Features

- Homogenous solid state light source
- High luminous flux and efficiency
- Daylight
- Directional emission
- Energy savings up to 80% possible
- Immediate start
- wireless control system
- 400V
- dimmable

### Application

- Outdoor sportfields
- Industrial compounds
- Parking lots

**Optogan GmbH**  
Jenaerstr. 1  
84034 Landshut | Germany  
phone +49 871 684808  
fax +49 871 684829  
info@optogan.com  
www.optogan.com

Registered Office: Landshut  
Commercial Register No. 8818  
VAT ID: DE-814 588 453  
Commercial Registry: Landshut  
Managing Director: Dr. Alexey Kovsh

DS-ONF-MTAA1K7A-52HA rev 1 / 200312

Bank: Sparkasse Dortmund  
BLZ: 440 501 99  
A/C No.: 1 176 323  
IBAN: DE93 4405 0199 0001 1763 23  
BIC/SWIFT: DORTDE33XXX



## LED DSF Floodlight

### Properties

Order number	ONF-MTAA1K7A-52HA
Corrected Colour Temperature (K)	5200
Colour Rendering Index (Ra)	70 - 80
Luminous flux (lx @ 1m)	
Lumen output (lm)	up to 187000

### Features

Material	Body	Extruded aluminium
	Mounting Bracket	Stainless steel
	Optic	lenses
Surface treatment	Body	black polyester coated
	Mounting Bracket	black polyester coated
	Optic	polished glass
Dimensions	Length(mm)	700
	Width(mm)	650
	Height(mm)	450
Angle of rotation (°)		90
Angle of yaw (°)		0
Angle of inclination (°)		90
Beam angle (FWHM)		application specific
Weight without driver (Kg)		25
Weight (Kg)		25
Connector		tool less
Mounting possibilities		Multi
Protection Rating (IP)		65

## LED DSF Floodlight

### Electrical Characteristics

System voltage (V)	360~440Vac
System power (W)	max. 1700
Inrush current (A)	< 5
Cos phi	> 0.98 at full Power
Ambient temperature (°C)	-20 ~ +40
Warranty (Years)	1, 3 or 5

### Accessories

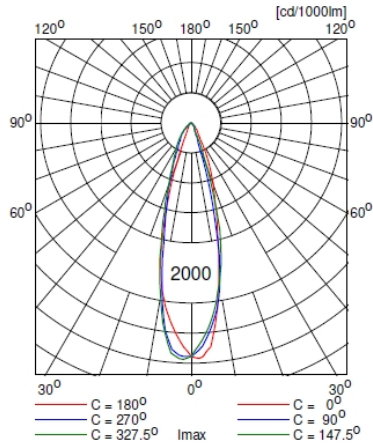
DSF Switch Box
ONA-ATBAxxxA-0000
DSF Control Box
ONA-ATCAxxxA-0000
DSF Touch Panel
ONA-ATDAxxxA-0000

### Downloads and useful links

.IES macro
NA
.LDT file
NA
.DXF for mechanical integration
NA

**LED DSF Floodlight**

**Polar graphics / Distribution**

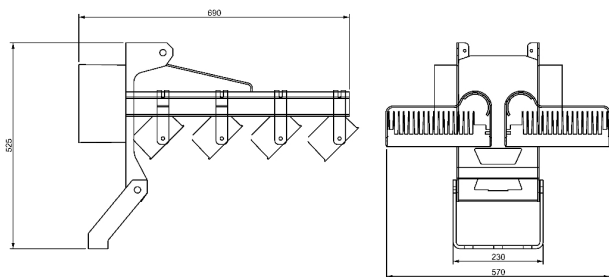


Note: The here indicated values result from internal calculations based on original source data. Should you require more accurate information we suggest that you download the current characteristic file from our web site.

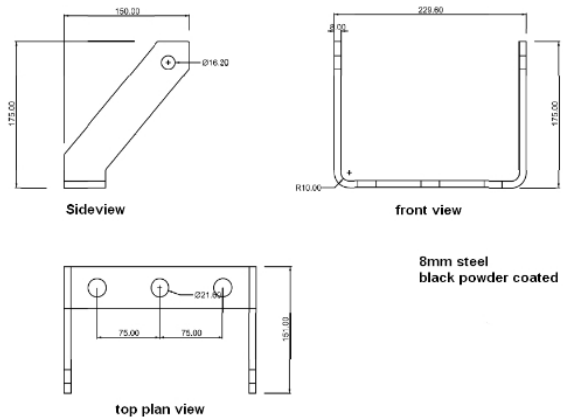
**Unified Glare Rating**

**Dimensions**

:(mm)



**Mounting sketch**



**Optogan GmbH**  
Jenaerstr. 1  
84034 Landshut | Germany  
phone +49 871 684808  
fax +49 871 684829  
info@optogan.com  
www.optogan.com

Registered Office: Landshut  
Commercial Register No. 8818  
VAT ID: DE-814 588 453  
Commercial Registry: Landshut  
Managing Director: Dr. Alexey Kovsh

**DS-ONF-MTAA1K7A-52HA rev 1 / 200312**

Bank: Sparkasse Dortmund  
BLZ: 440 501 99  
A/C No.: 1 176 323  
IBAN: DE93 4405 0199 0001 1763 23  
BIC/SWIFT: DORTDE33XXX